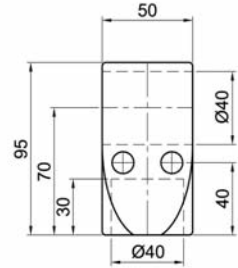
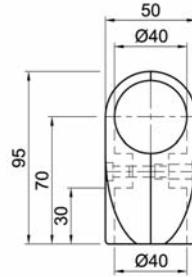
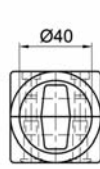




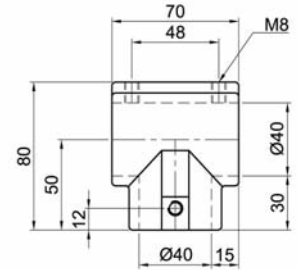
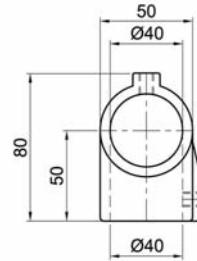
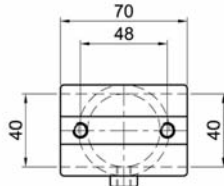
Bestell-Nr. **RV-1040***
Order no.

T-Verbinder, 2-schalig
T-Connector, 2-shell



Bestell-Nr. **RV-2064 a***
Order no.

T-Verbinder, 1-schalig
T-Connector, 1-shell

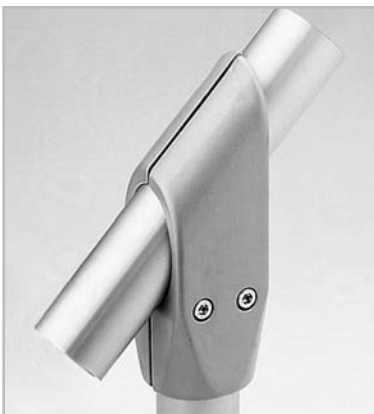
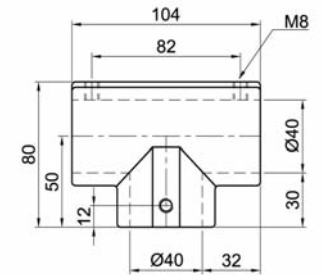
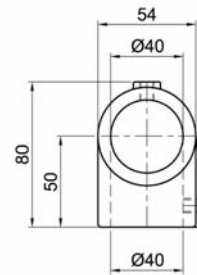
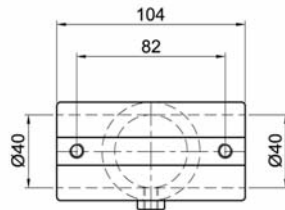


Ø
40
mm



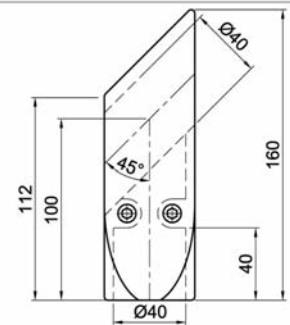
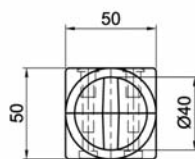
Bestell-Nr. **RV-2064 b***
Order no.

T-Verbinder, 1-schalig
T-Connector, 1-shell



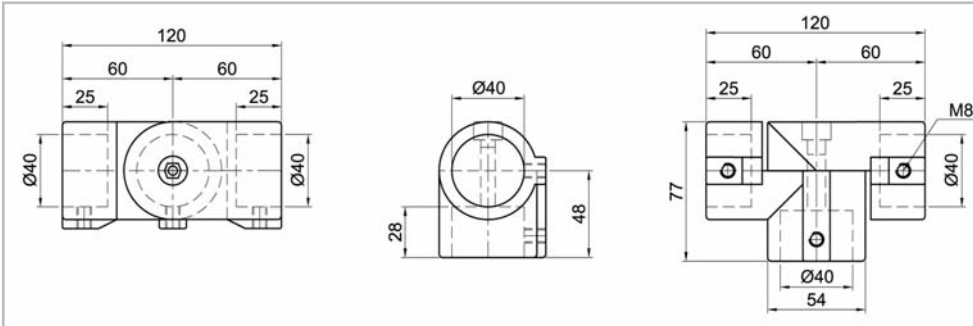
Bestell-Nr. **RV-1046***
Order no.

T-Verbinder 45°/135°, 2-schalig
T-Connector 45°/135°, 2-shell



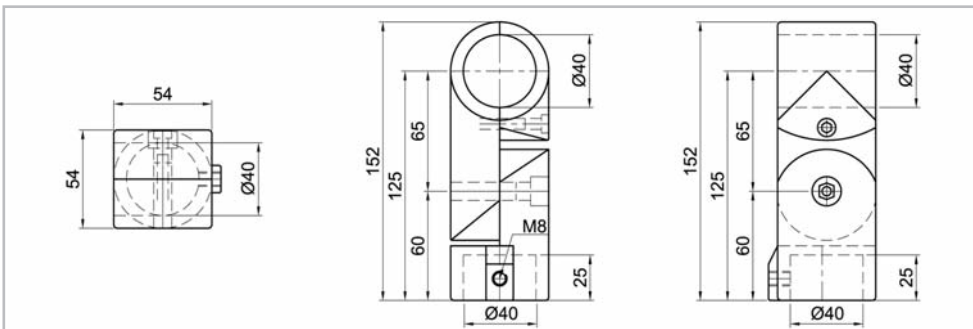
T-Gelenkverbinder, 1-schalig T-joint connector, 1-shell

Bestell-Nr. **RV-2121 a***
Order no.



T-Gelenkverbinder, 2-schalig T-joint connector, 2-shell

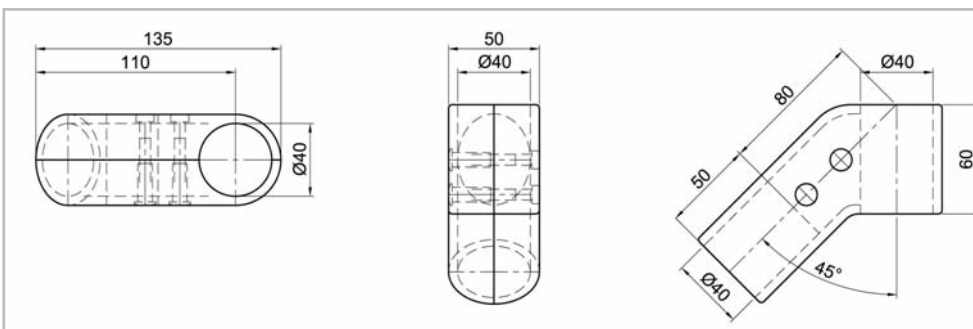
Bestell-Nr. **RV-1057***
Order no.



Ø
40
mm

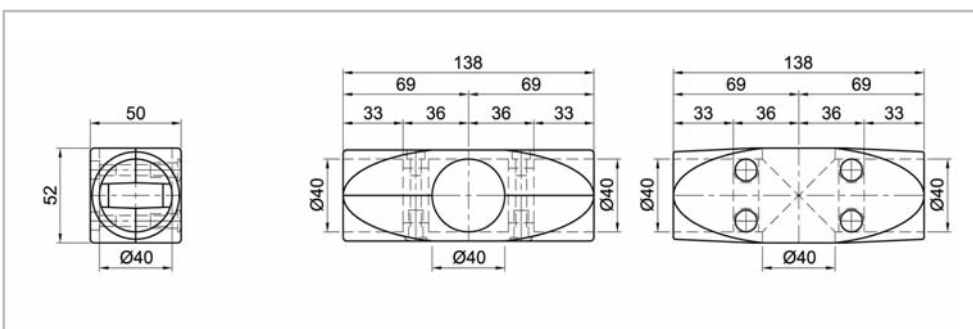
T-Verbinder 45°/135°, 2-schalig T-connector 45°/135°, 2-shell

Bestell-Nr. **RV-1890 c***
Order no.



Kreuz-Verbinder, 2-schalig Cross-connector, 2-shell

Bestell-Nr. **RV-1041***
Order no.

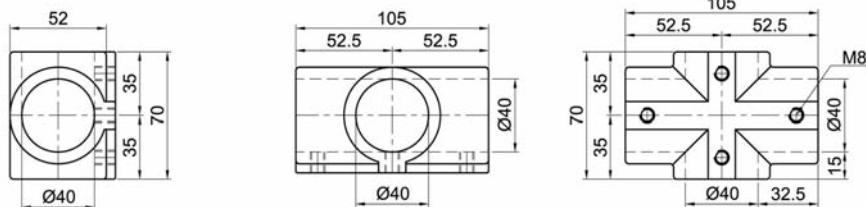


* mit Oberflächen-Bestell-Code ergänzen (siehe Seite 282–283)
to add surface-order-code (see page 282–283)



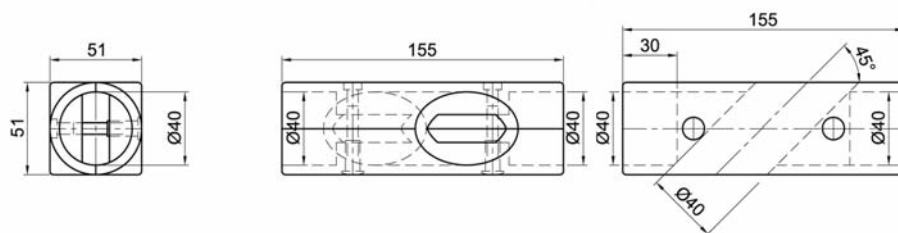
Bestell-Nr. **RV-2065 a***
Order no.

Kreuz-Verbinder, 1-schalig Cross-connector, 1-shell



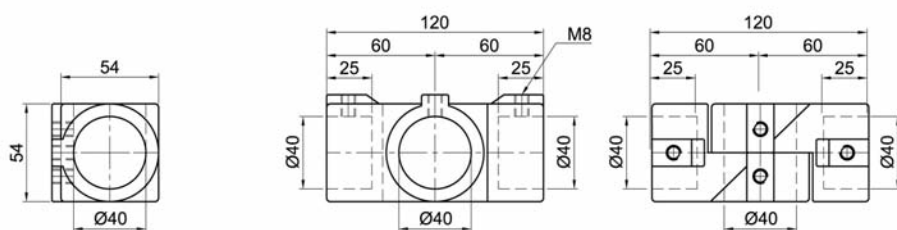
Bestell-Nr. **RV-1050***
Order no.

Kreuz-Verbinder 45°/135°, 2-schalig Cross-connector 45°/135°, 2-shell



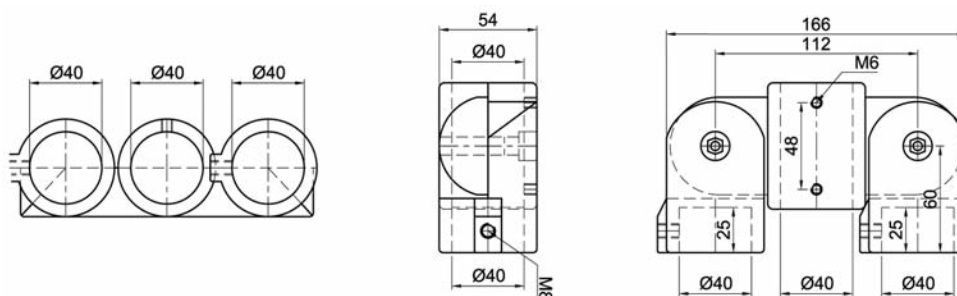
Bestell-Nr. **RV-2122 a***
Order no.

Kreuz-Gelenkverbinder, 1-schalig Cross-joint connector, 1-shell



Bestell-Nr. **RV-1058***
Order no.

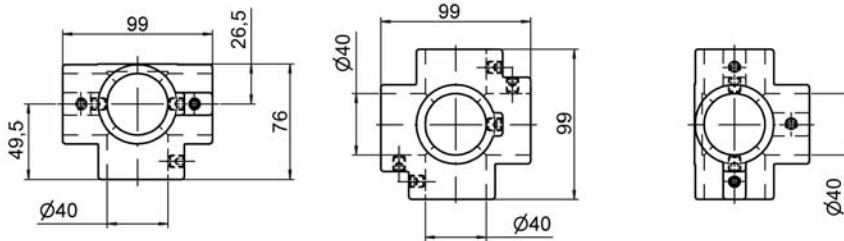
Kreuz-Gelenkverbinder, 1-schalig Cross-joint connector, 1-shell



$\text{\O}40$
mm

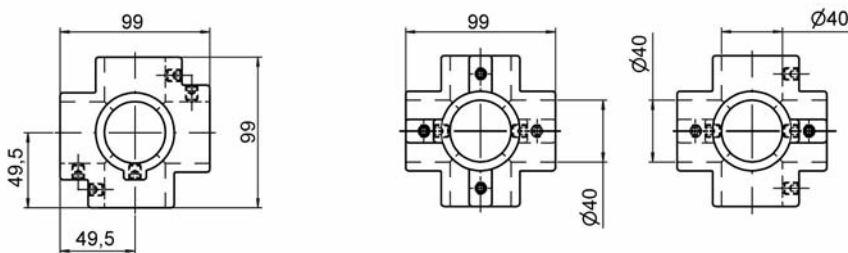
Kreuz-Verbinder 5-fach, 1-schalig Cross-connector 5 end, 1-shell

Bestell-Nr. **RV-3051***
Order no.



Kreuz-Verbinder 6-fach, 1-schalig Cross-connector 6 end, 1-shell

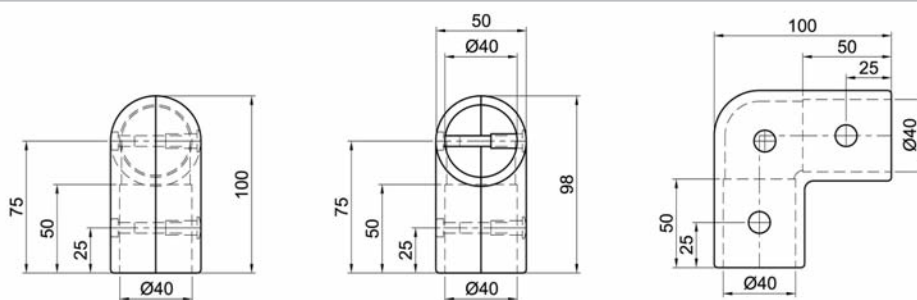
Bestell-Nr. **RV-3052***
Order no.



Ø
40
mm

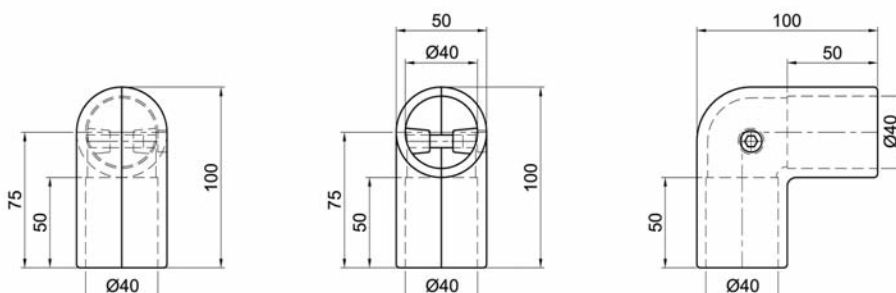
Winkel-Verbinder 90°, 2-schalig Angle-connector 90°, 2-shell

Bestell-Nr. **RV-1045***
Order no.



Winkel-Verbinder 90°, 2-schalig Angle-connector 90°, 2-shell

Bestell-Nr. **RV-3041***
Order no.

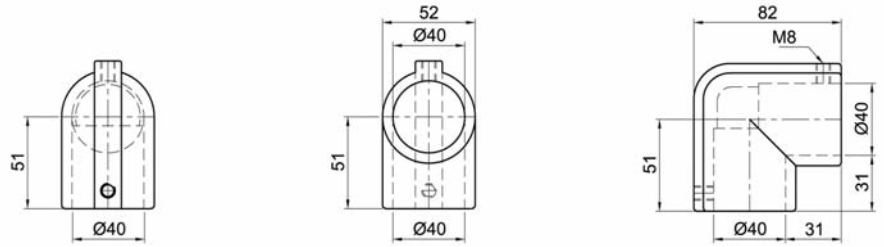


* mit Oberflächen-Bestell-Code ergänzen (siehe Seite 282–283)
to add surface-order-code (see page 282–283)



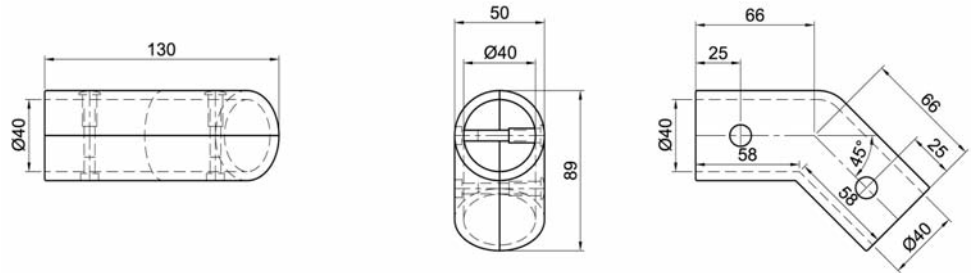
Bestell-Nr. **RV-2063 a***
Order no.

Winkel-Verbinder 90°, 1-schalig
Angle-connector 90°, 1-shell



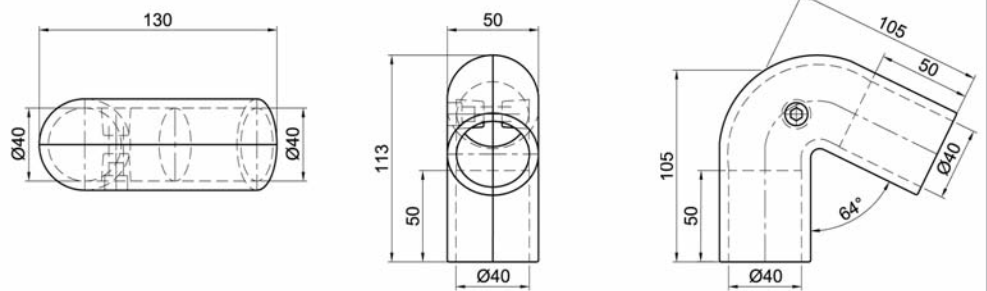
Bestell-Nr. **RV-1049***
Order no.

Winkel-Verbinder 45°/135°, 2-schalig
Angle-connector 45°/135°, 2-shell



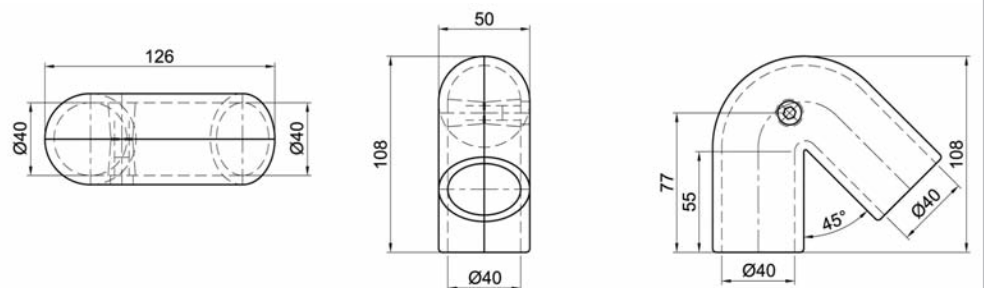
Bestell-Nr. **RV-3042***
Order no.

Winkel-Verbinder 64°, 2-schalig
Angle-connector 64°, 2-shell



Bestell-Nr. **RV-1062***
Order no.

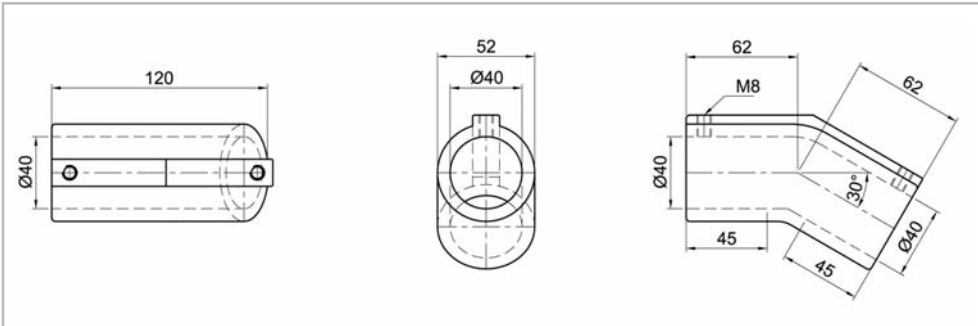
Winkel-Verbinder 45°/135°, 2-schalig
Angle-connector 45°/135°, 2-shell



Ø
40
mm

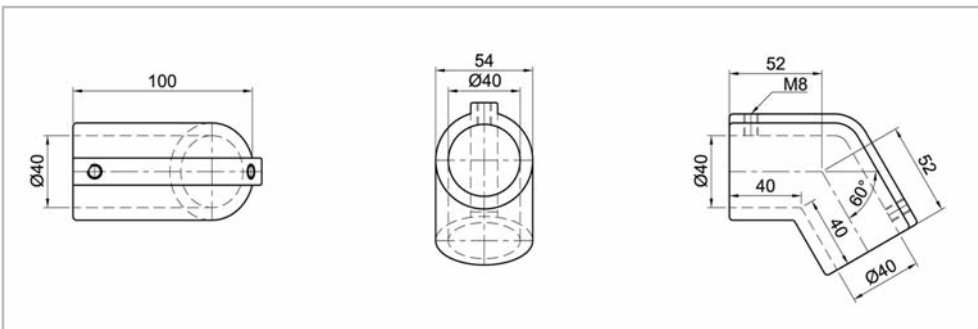
Winkel-Verbinder 30°/150°, 1-schalig Angle-connector 30°/150°, 1-shell

Bestell-Nr. **RV-2103 a***
Order no.



Winkel-Verbinder 60°, 1-schalig Angle-connector 60°, 1-shell

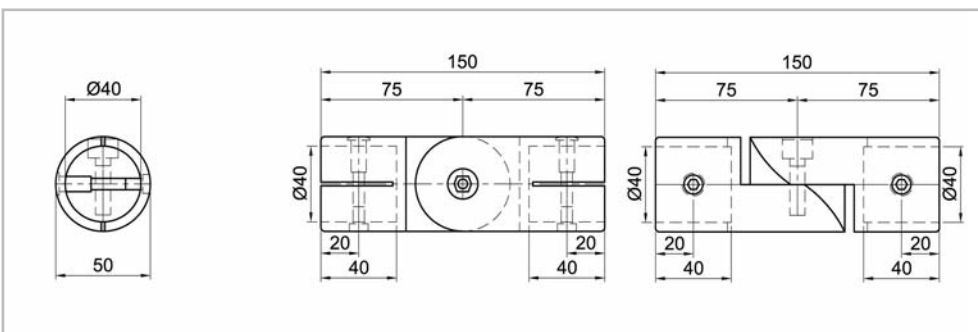
Bestell-Nr. **RV-2104 a***
Order no.



Ø
40
mm

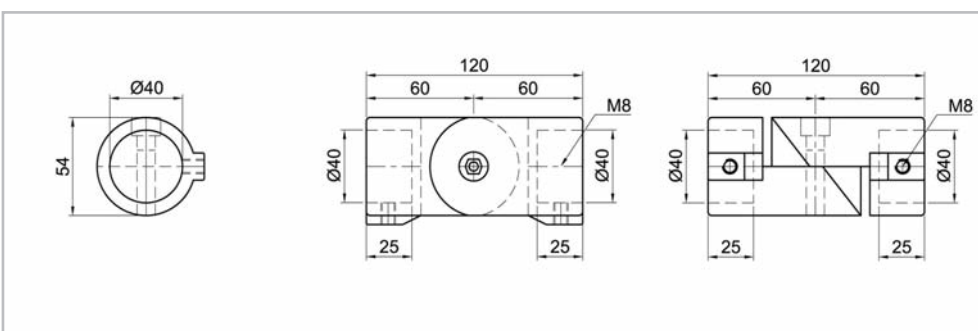
Winkel-Gelenkverbinder, 1-schalig Angle joint connector, 1-shell

Bestell-Nr. **RV-2114 b**
Order no.



Winkel-Gelenkverbinder, 1-schalig Angle joint connector, 1-shell

Bestell-Nr. **RV-2114 a**
Order no.

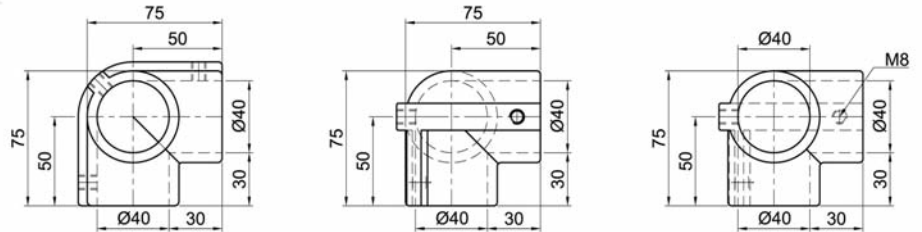


* mit Oberflächen-Bestell-Code ergänzen (siehe Seite 282–283)
to add surface-order-code (see page 282–283)



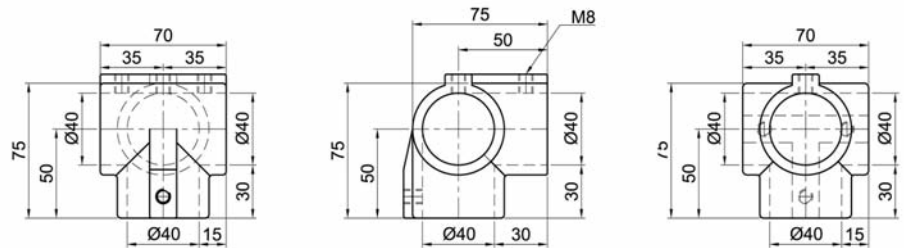
Bestell-Nr. **RV-2071 a***
Order no.

Eck-Verbinder 90°, Kopfstück, 2-schalig
Corner connector 90°, Headpiece, 2-shell



Bestell-Nr. **RV-2066 a***
Order no.

Eck-Verbinder 90°, offen, 1-schalig
Corner connector 90°, open, 1-shell

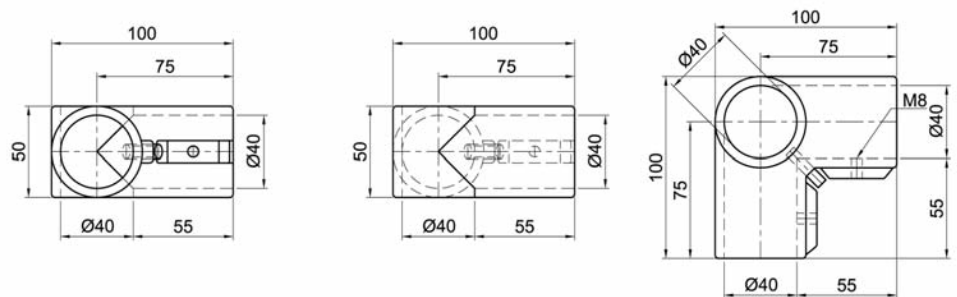


Ø
40
mm



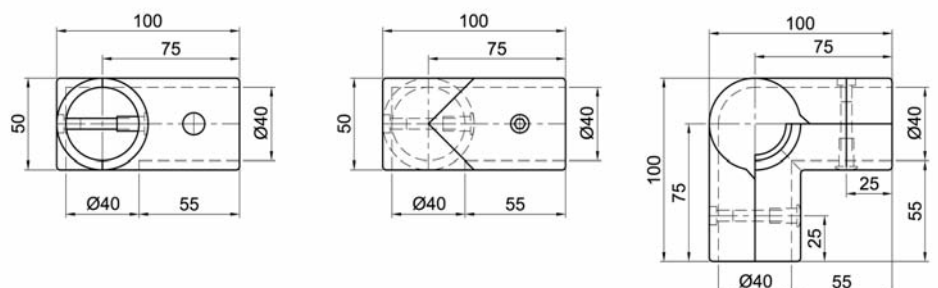
Bestell-Nr. **RV-1042***
Order no.

Eck-Verbinder 90°, offen, 1-schalig
Corner connector 90°, open, 1-shell



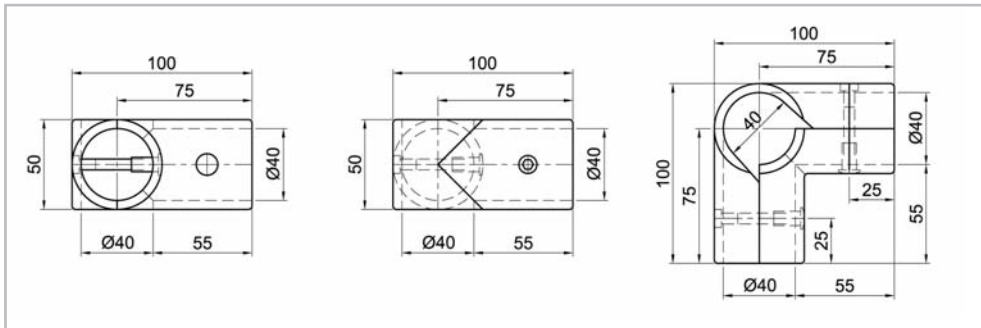
Bestell-Nr. **RV-1063 c**
Order no.

Eck-Verbinder 90°, Kopfstück, 2-schalig
Corner connector 90°, Headpiece, 2-shell



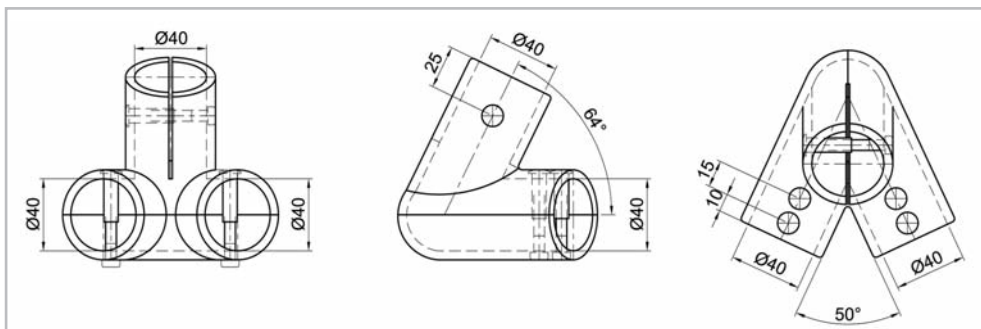
Eck-Verbinder 90°, offen, 2-schalig
Corner connector 90°, open, 2-shell

Bestell-Nr. **RV-1063 a***
 Order no.



Eck-Verbinder 64°, Kopfstück, 2-schalig
Corner connector 64°, Headpiece, 2-shell

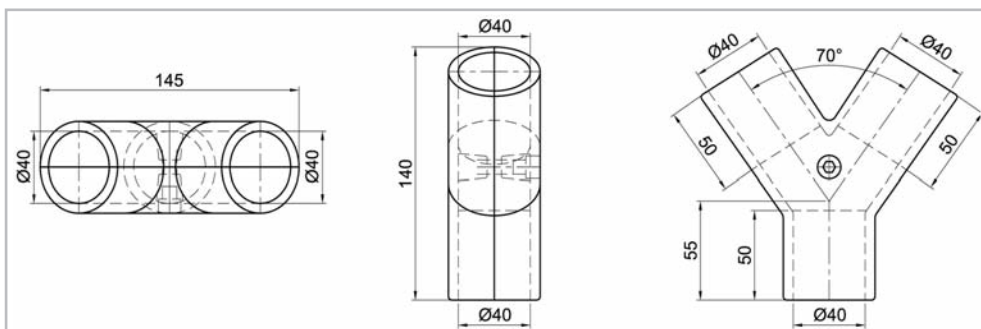
Bestell-Nr. **RV-3043***
 Order no.



Ø
40
 mm

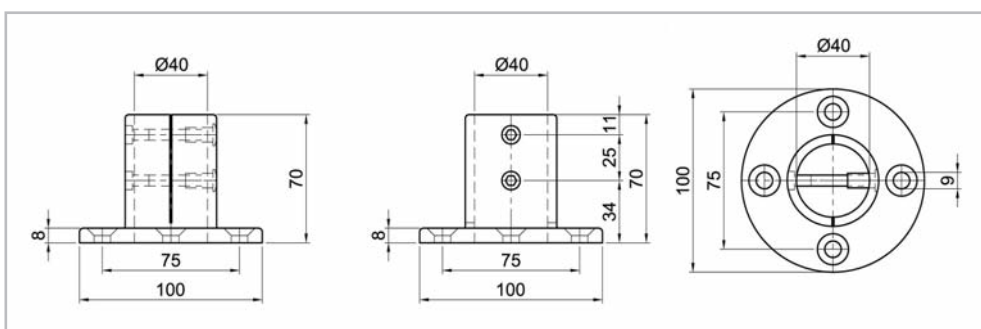
Eck-Verbinder, 2-schalig
Corner connector, 2-shell

Bestell-Nr. **RV-3048***
 Order no.



Bodenlager, 1-schalig
Ground bearing, 1-shell

Bestell-Nr. **RV-1043 a***
 Order no.

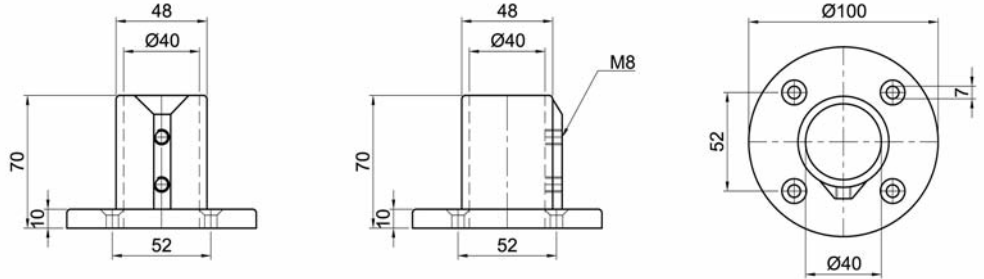


* mit Oberflächen-Bestell-Code ergänzen (siehe Seite 282–283)
 to add surface-order-code (see page 282–283)



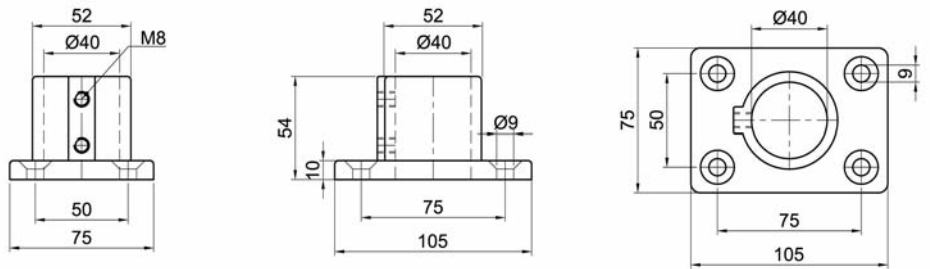
Bestell-Nr. **RV-1043***
Order no.

Bodenlager, 1-schalig Ground bearing, 1-shell

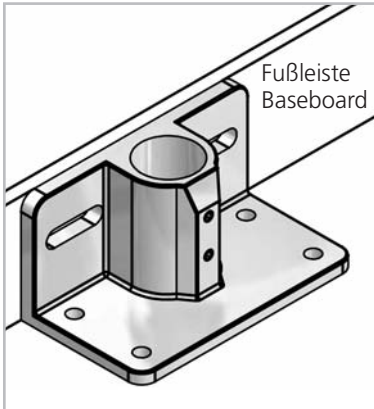


Bestell-Nr. **RV-2067 a***
Order no.

Bodenlager, 1-schalig Ground bearing, 1-shell

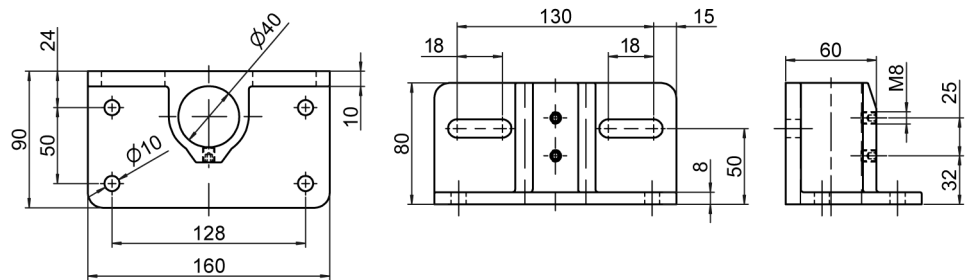


Ø
40
mm



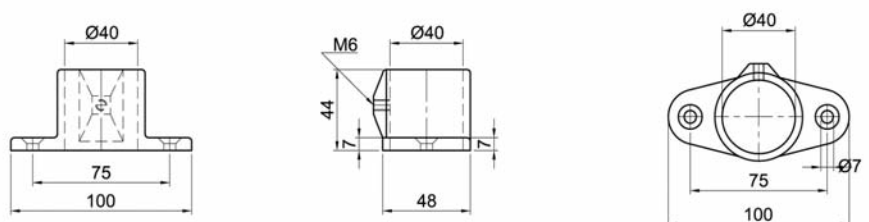
Bestell-Nr. **RV-2068 a***
Order no.

Bodenlager, 1-schalig für Fußleiste Ground bearing, 1-shell for baseboard



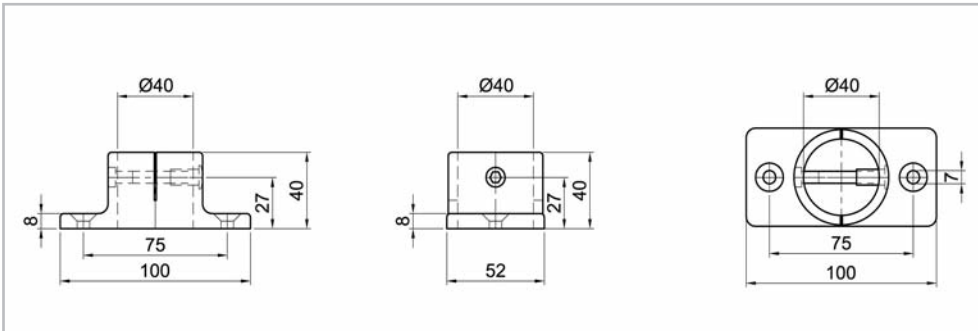
Bestell-Nr. **RV-1048**
Order no.

Bodenlager, 1-schalig Ground bearing, 1-shell



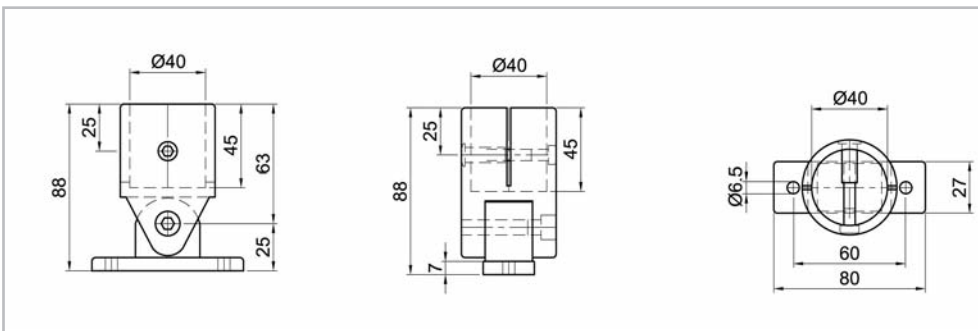
Bodenlager, 1-schalig Ground bearing, 1-shell

Bestell-Nr. **RV-1691 c***
Order no.



Bodenlager-variabel, 1-schalig Ground bearing- variable, 1-shell

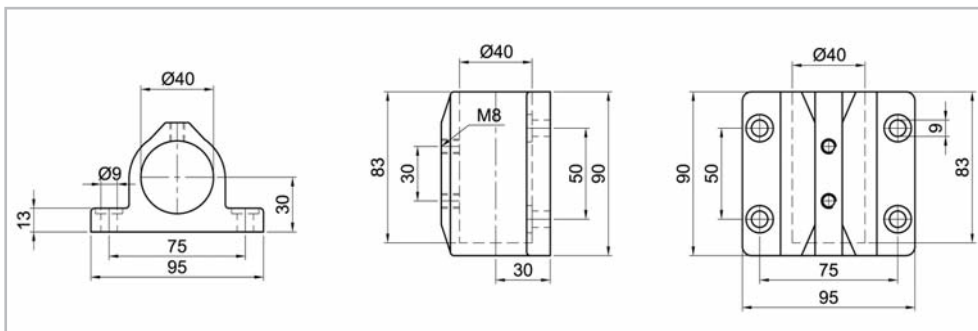
Bestell-Nr. **RV-1047***
Order no.



Ø
40
mm

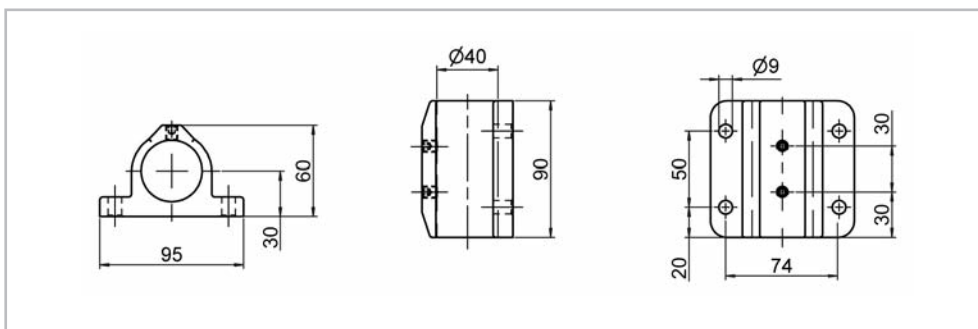
Wandlager, 1-schalig Wall bearing, 1-shell

Bestell-Nr. **RV-1044***
Order no.



Wandlager, 1-schalig Wall bearing, 1-shell

Bestell-Nr. **RV-1044 a***
Order no.

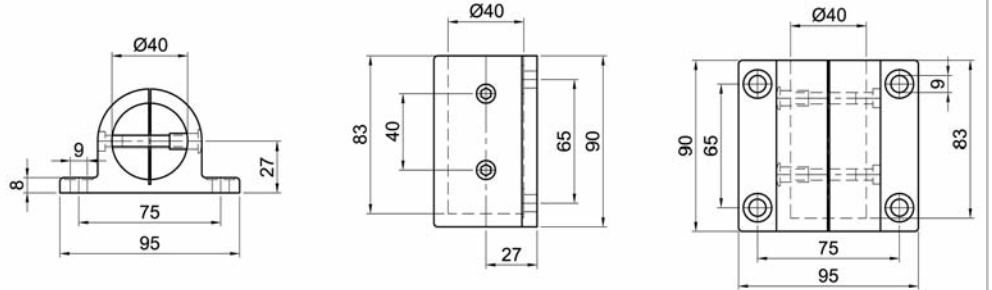


* mit Oberflächen-Bestell-Code ergänzen (siehe Seite 282–283)
to add surface-order-code (see page 282–283)



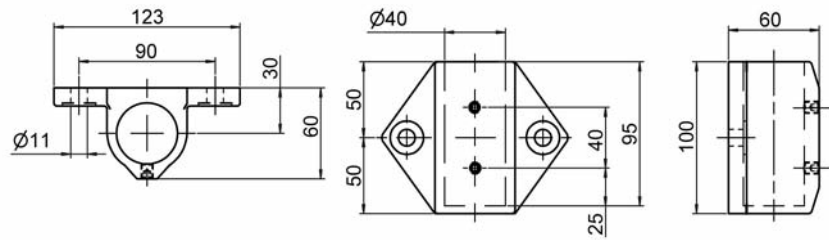
Bestell-Nr. **RV-1044 b***
Order no.

Wandlager, 1-schalig Wall bearing, 1-shell



Bestell-Nr. **RV-1044 c***
Order no.

Wandlager, 1-schalig Wall bearing, 1-shell

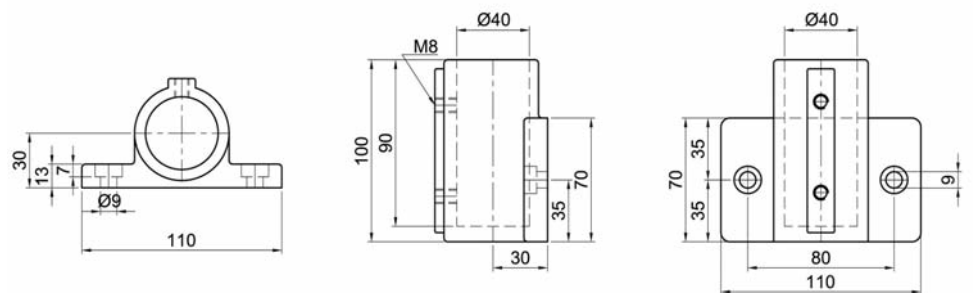


Ø
40
mm



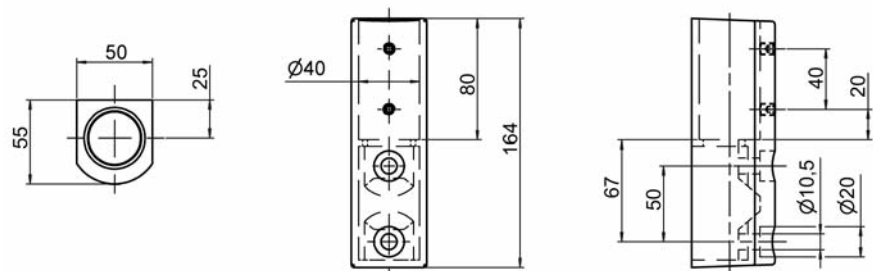
Bestell-Nr. **RV-2123 a***
Order no.

Wandlager, 1-schalig Wall bearing, 1-shell



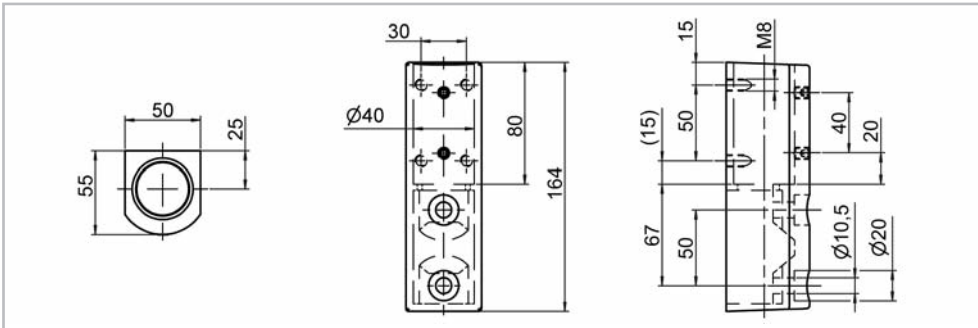
Bestell-Nr. **RV-1044 e***
Order no.

Wandlager, 1-schalig Wall bearing, 1-shell



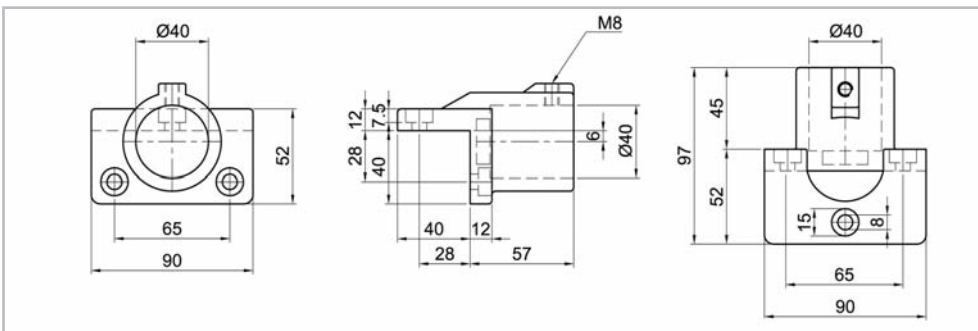
Wandlager, 1-schalig für Fußleiste Wall bearing, 1-shell for baseboard

Bestell-Nr. **RV-1044 f***
Order no.



Boden-Wandlager, 1-schalig Ground-wall bearing, 1 shell

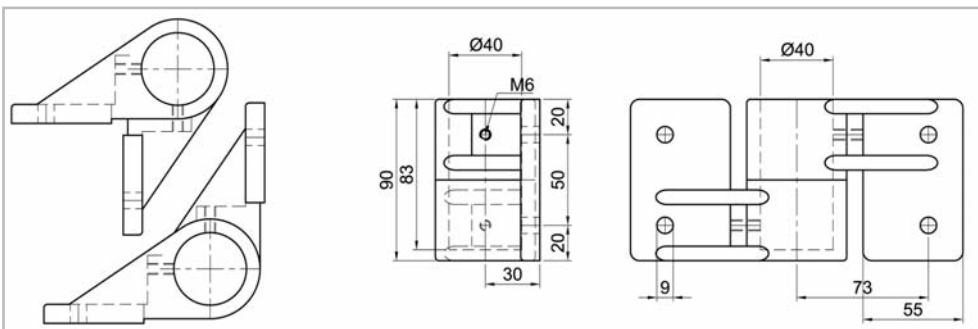
Bestell-Nr. **RV-2132 a***
Order no.



Ø
40
mm

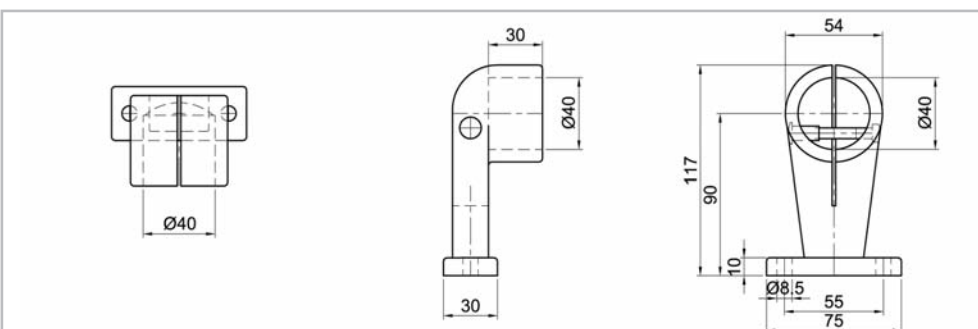
Wandlager-Eckbefestigung, 1-schalig Wall bearing- corner fastening, 1-shell

Bestell-Nr. **RV-3050***
Order no.



Endstütze, 1-schalig End prop, 1-shell

Bestell-Nr. **RV-1055***
Order no.

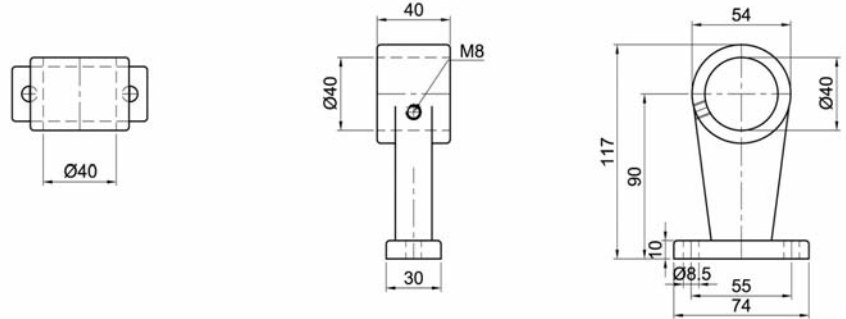


* mit Oberflächen-Bestell-Code ergänzen (siehe Seite 282–283)
to add surface-order-code (see page 282–283)



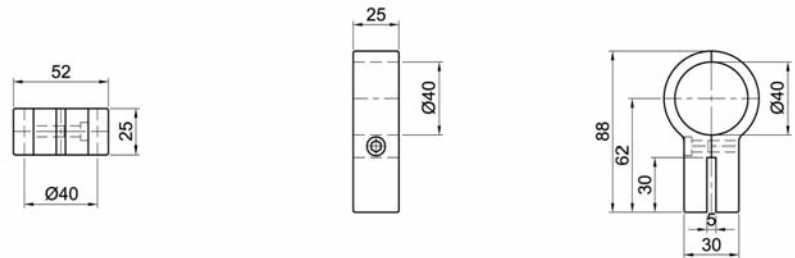
Bestell-Nr. **RV-1056***
Order no.

Mittelstütze, 1-schalig Centre prop, 1-shell



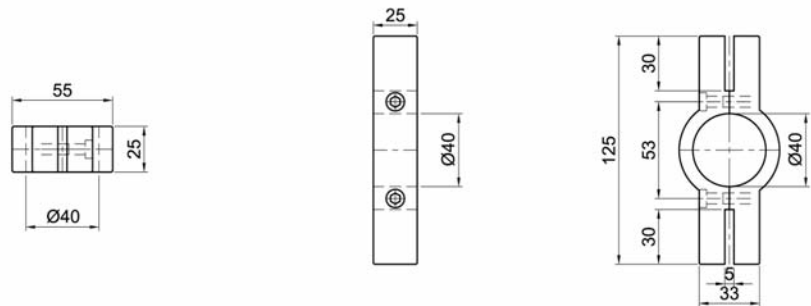
Bestell-Nr. **RV-3045***
Order no.

Glashalter, 2-schalig Glass holder, 2-shell



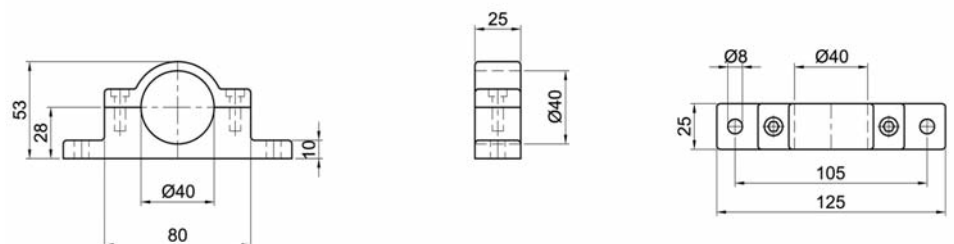
Bestell-Nr. **RV-3045 a***
Order no.

Doppel-Glashalter, 2-schalig Double-glass holder, 2-shell



Bestell-Nr. **RV-1059***
Order no.

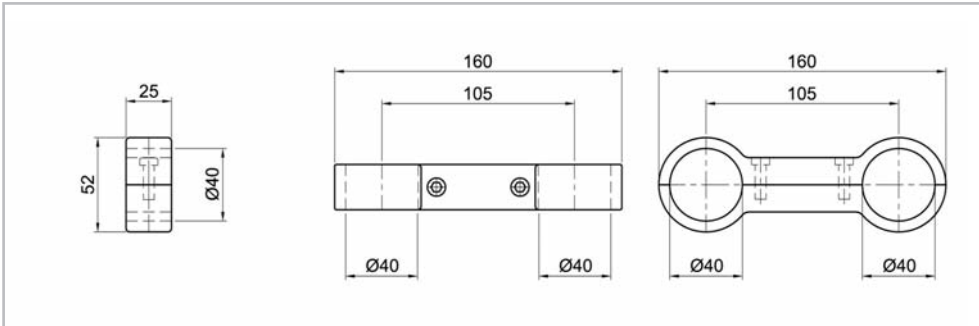
Plattenhalter, 2-schalig Plate holder, 2-shell



Ø
40
mm

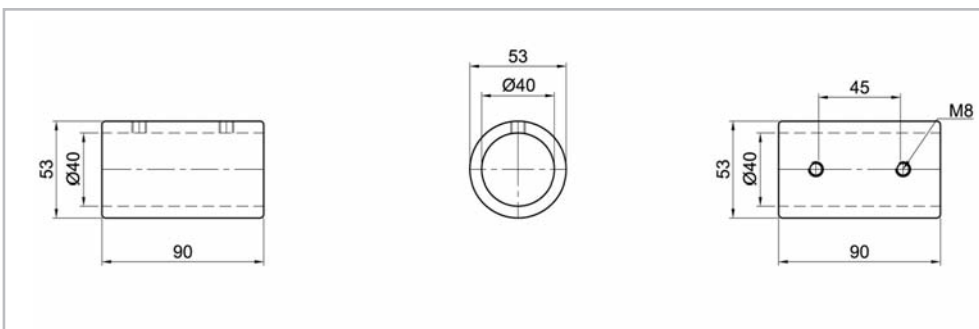
Doppelschelle, 2-schalig Double clamp, 2-shell

Bestell-Nr. **RV-1052***
Order no.



Rohr-Verbindungsstück, 1-schalig Tube connector piece, 1-shell

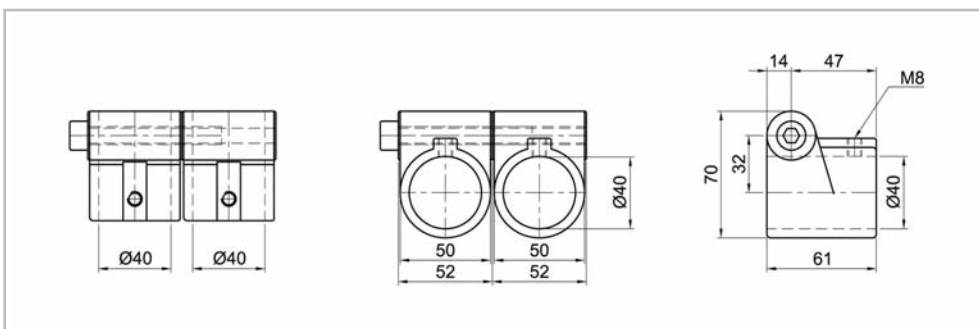
Bestell-Nr. **RV-1030***
Order no.



Ø
40
mm

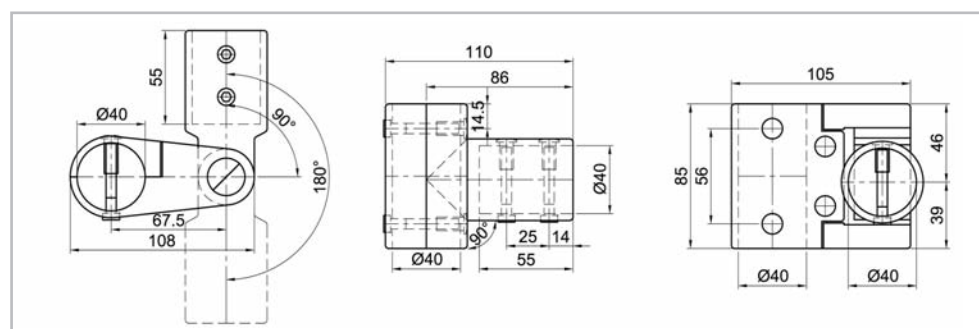
Anschlussstück, offen, 1-schalig Connection piece, open, 1-shell

Bestell-Nr. **RV-2410 b***
Order no.



Pendellager 40 x 40, wahlweise 90° oder 180° Swivel bearing 40 x 40 option of 90° or 180°

Bestell-Nr. **RV-2230***
Order no.

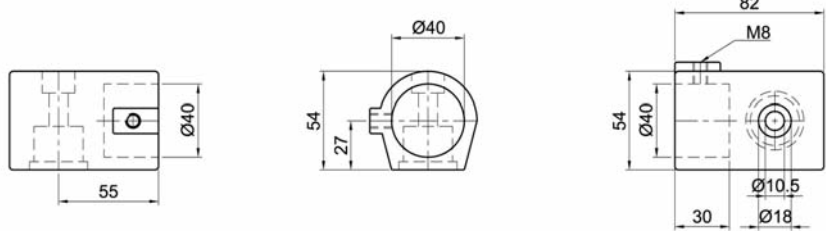


* mit Oberflächen-Bestell-Code ergänzen (siehe Seite 282–283)
to add surface-order-code (see page 282–283)



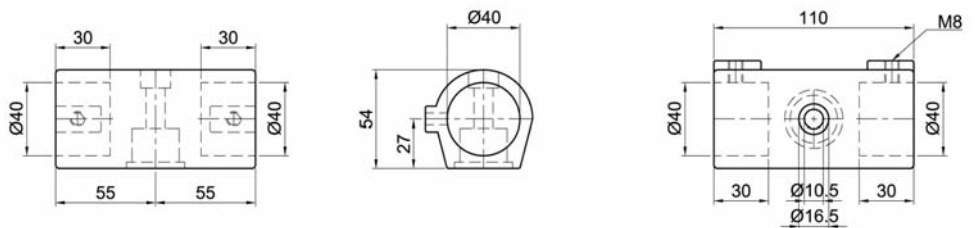
Bestell-Nr. **RV-2111 a***
Order no.

Rohrhalter-W, Kopfstück, 1-schalig
Tube holder-W, headpiece, 1-shell



Bestell-Nr. **RV-2110 a***
Order no.

Rohrhalter-W, 1-schalig
Tube holder-W, 1-shell

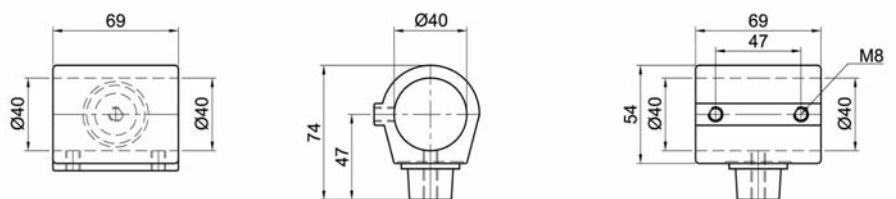


\varnothing
40
mm



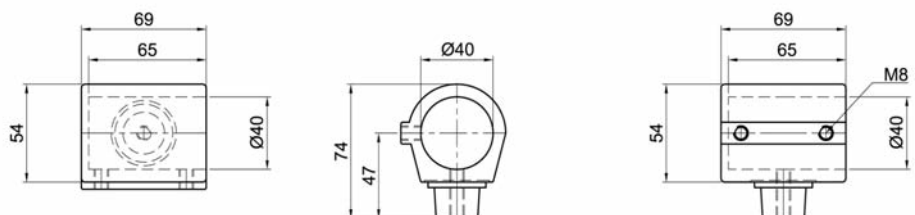
Bestell-Nr. **RV-2112 a***
Order no.

Rohrhalter-S, 1-schalig
Tube holder-S, 1-shell



Bestell-Nr. **RV-2113 a***
Order no.

Rohrhalter-S, Kopfstück, 1-schalig
Tube holder S, headpiece, 1-shell



Bestell-Nr. **RV-2111 a + RV-2113 a***
Order no.



Bestell-Nr. **RV-2112 a + RV-2110 a***
Order no.



Bestell-Nr. **RV-2111 a + RV-2112 a***
Order no.



Bestell-Nr. **RV-2110 a + RV-2113 a***
Order no.

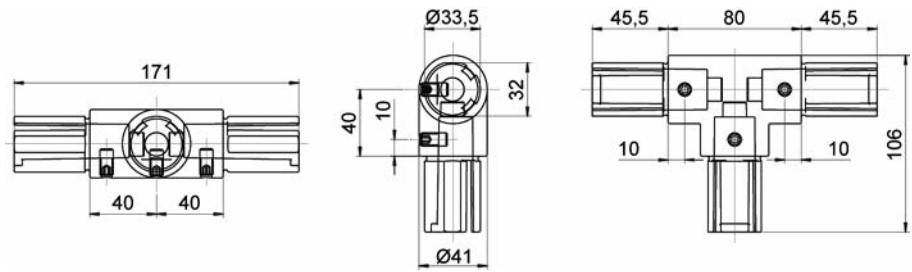


Ø
40
mm



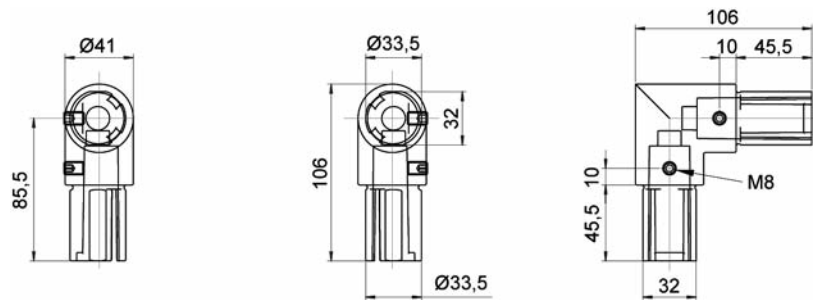
Bestell-Nr. **RV-BR01***
Order no.

Winkel-T-Verbinder 90° Angle-T-connector 90°



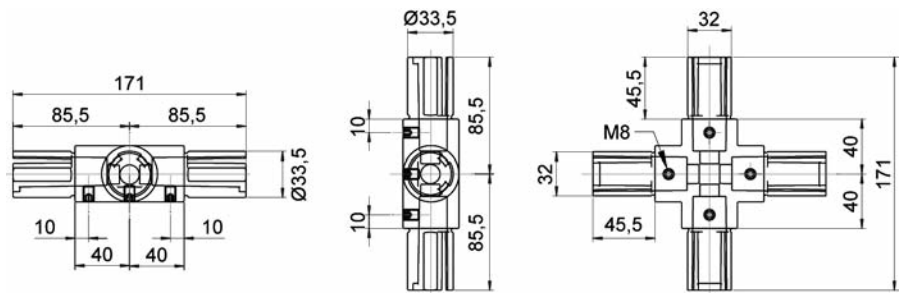
Bestell-Nr. **RV-BR02***
Order no.

Winkel-Verbinder 90° Angle-connector 90°



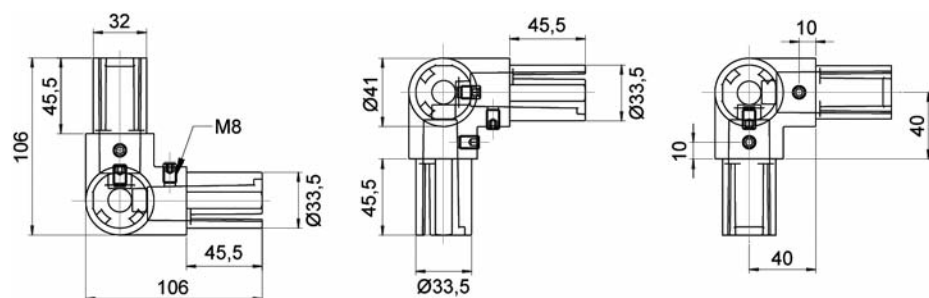
Bestell-Nr. **RV-BR03***
Order no.

Kreuz-Verbinder 90° Cross-connector 90°



Bestell-Nr. **RV-BR04***
Order no.

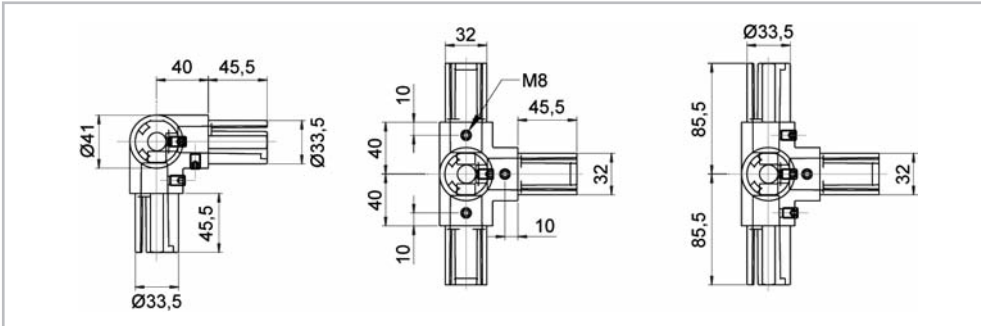
Winkel-Eck-Verbinder Angle-corner-connector



Ø
40
mm

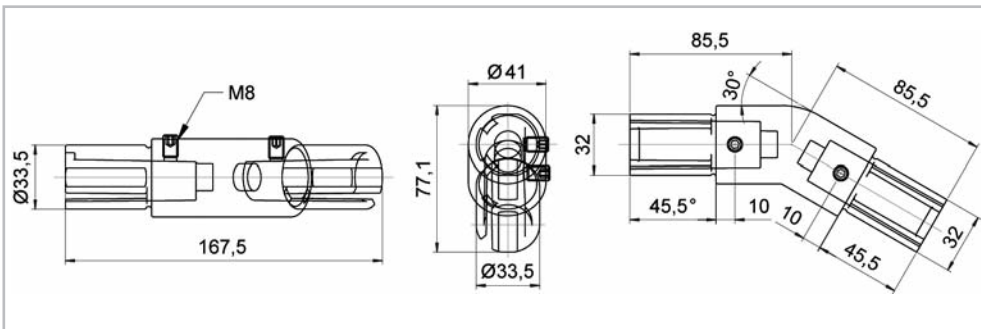
Winkel-Eck-T-Verbinder Angle-corner-T-connector

Bestell-Nr. **RV-BR05***
Order no.



Winkel-Verbinder 30°/150° Angle-connector 30°/150°

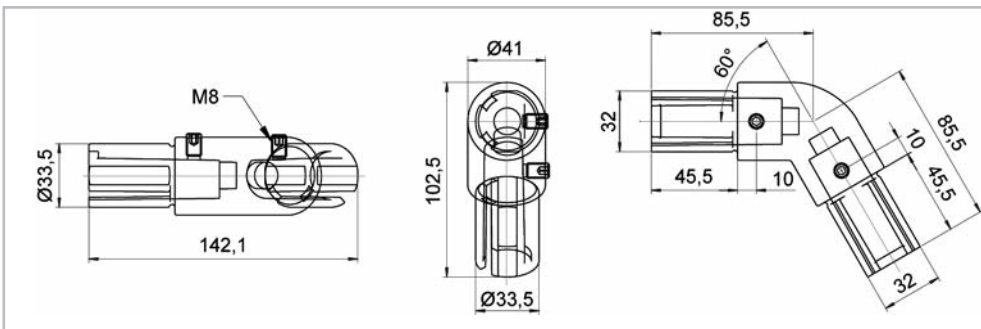
Bestell-Nr. **RV-BR06***
Order no.



Ø
40
mm

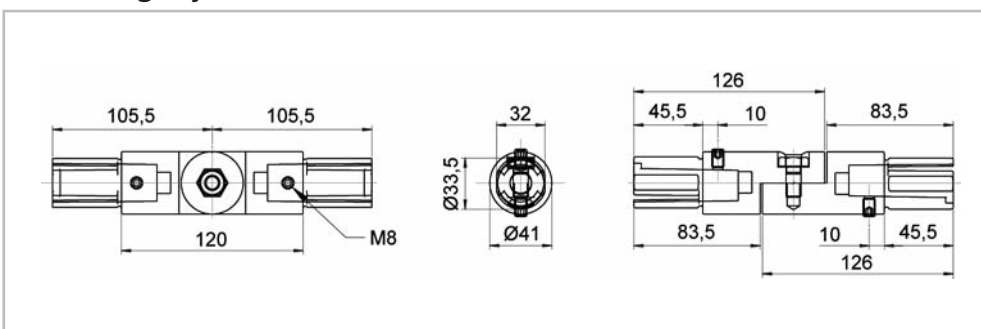
Winkel-Verbinder 60°/120° Angle-connector 60°/120°

Bestell-Nr. **RV-BR07***
Order no.



Winkel-Gelenkverbinder, 1-schalig Angle-joint-connector, 1-shell

Bestell-Nr. **RV-BR08***
Order no.



* mit Oberflächen-Bestell-Code ergänzen (siehe Seite 353)
to add surface-order-code (see page 353)